



## Cranked handles

Aluminium

### SPECIFICATION

Body

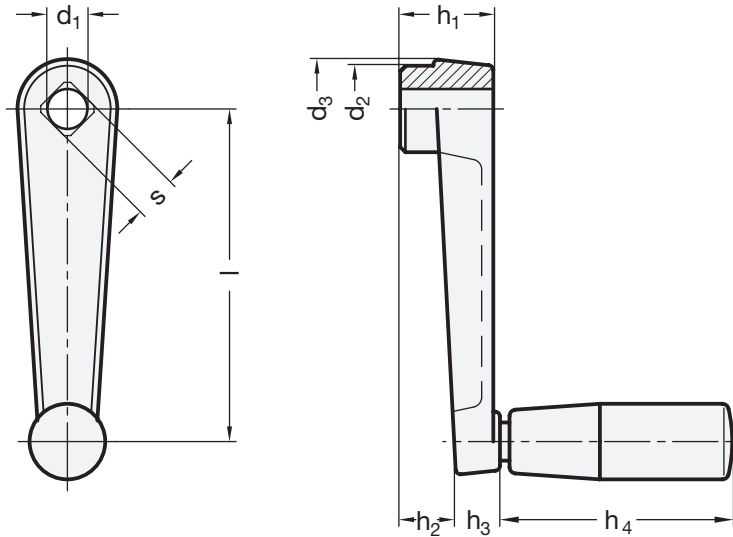
- Aluminium
- plastic coated, black, textured finish
- hub machined

Cylindrical Revolving handles GN 598 (see page 573)

- Plastic, technopolymer, black matt
- Spindle steel, zinc plated, blue passivated

### TECHNICAL INFORMATION

- Square DIN 79 (see page A16)
- Cross holes GN 110 (see page A17)
- ISO-Fundamental Tolerances (see page A21)



### GN 471

Description	l	d1 H7	s H11	d2	d3	h1	h2 ≈	h3	h4 ≈	Ø Handle	Δ
GN 471-80-B10	80	B 10	-	23	26	24	14	14	52.5	21	120
GN 471-80-V10	80	-	V 10	23	26	24	14	14	52.5	21	98
GN 471-100-B12	100	B 12	-	27	30	28	17	15	67.5	23	170
GN 471-100-V12	100	-	V 12	27	30	28	17	15	67.5	23	150
GN 471-125-B14	125	B 14	-	32	35	34	22	18	82.5	26	255
GN 471-125-V14	125	-	V 14	32	35	34	22	18	82.5	26	240
GN 471-160-B17	160	B 17	-	35	39	38	26	18	82.5	26	301
GN 471-160-V17	160	-	V 17	35	39	38	26	18	82.5	26	280